

WHASS

— By ITEMDesign Works —
Javier Cuñado

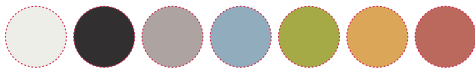


■ **DESCRIPTION**

- ① **Polypropylene (P.P) frame**, 5 mm thick, with glass fibre.
- ② **Model without arms.**
- ③ **Optional seat:** Upholstered with an ergonomic cushion (110-120 kg/m³) in upholstered or PUR
- ④ **Bottom structure:** 24,5 x 12 mm ovale steel tube bars, 1.5 mm thick. Lower polypropylene frame covering the structure.
- ⑤ **Structure** made with cylindrical hot-rolled steel tubes, Ø13mm and e=2 mm, with a 90-micron thick epoxy paint coating.
- ⑥ Ø13x2 mm hot-rolled steel cylindrical tube **footrest**. Protector for placing feet on chairs with a painted structure.
- ⑦ **End caps** in a graphite grey finish with felt silent pad-anti scratch.



■ **SHELL**

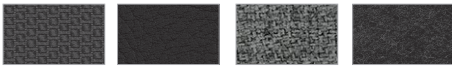


5 mm polypropylene (P.P) with 30% fibreglass in a wide range of colours.

■ **UPHOLSTERED SEAT**



Fabric T Fabric U Fabric AE Fabric AO Fabric AI



Fabric D Fabric V Fabric M Fabric A

■ **PU SEAT**



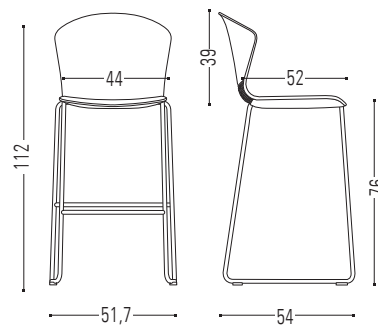
■ **STRUCTURE FINISH**



Ø13x2 mm hot-rolled steel tube in a white, black or chrome finish.

■ **DIMENSIONS**

- Total Height: 1120 mm
- Total Width: 517 mm
- Total Depth: 540 mm
- Seat Height: 760 mm or 779 mm with cushioned seat
- Seat Width: 440 mm
- Seat Depth: 400 mm



- **Not Stackable**

■ **DESCRIPTION**

- ① **Polypropylene (P.P) frame**, 5 mm thick, with glass fibre.
- ② Model without arms.
- ③ **Optional seat:** Upholstered with an ergonomic cushion (110-120 kg/m³) in upholstered or PUR
- ④ **Bottom structure:** Bottom structure: Bottom frame of injected aluminum, which gives the chair greater precision, lightness and recyclability, covering the structure
- ⑤ **Wooden legs** with a conical shape in a natural beech wood or black lacquered finish.
- ⑥ Ø13x2 mm hot-rolled steel cylindrical tube **footrest**. Black Finish
- ⑦ Polypropylene (P.P) **End caps** in black with non-slip felt



■ **SHELL**

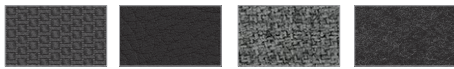


5 mm polypropylene (P.P) with 30% fibreglass in a wide range of colours.

■ **UPHOLSTERED SEAT**

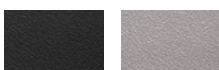


Fabric T Fabric U Fabric AE Fabric AO Fabric AI



Fabric D Fabric V Fabric M Fabric A

■ **PU SEAT**



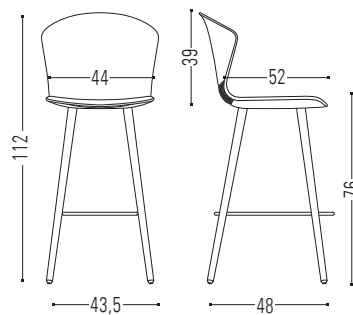
■ **LEGS FINISH**



Wooden legs with a conical shape in a beech wood finish.

■ **DIMENSIONS**

- Total Height: 1120 mm
- Total Width: 517 mm
- Total Depth: 540 mm
- Seat Height: 760 mm or 779 mm with cushioned seat
- Seat Width: 440 mm
- Seat Depth: 400 mm



■ Available combinations for the following models:

Cantilever stool



White Frame

- White arms
- White lower cover
- Structure - Any finish



Black Frame

- Black arms
- Black lower cover
- Structure - Any finish



**Blue/Grey/Dark Orange/
Pistachio/Mustard**

- White arms
- White lower cover
- Structure - White finish



**Blue/Grey/Dark Orange/Pistachio/
Mustard**

- Black arms
- Black lower cover
- Structure - Black or Chrome finish

■ Available combinations for the following models:

Wood legs stool



Frame: Any finish

- Black lower cover
- Structure / Base - Any finish



MATERIALS

Maximum use of materials to eliminate and minimize scraps. Use of recyclable and recycled materials in those components that do not affect the functionality and durability.

Metal legs: **28,10%**
 Cantilever stool: **34,41%**
 Wood legs: **50,09%**
 RECYCLED MATERIALS



PRODUCTION

Maximum optimization of energy use. Minimal environmental impact. Last generation technological systems. Zero discharge of wastewater. No VOC coatings. Processes free of heavy metals, phosphates, OC and COD.

100%
 RECYCLABLE ALUMINIUM, STEEL & WOOD



TRANSPORT

Detachable systems. Volumes that facilitate the optimization of space. Maximum reduction of energy consumption by transport.

100%
 RECYCLABLE PACKAGE AND THINNER FREE



USE

Quality and warranty. Long lasting. Replacements available.

EASY
 TO CLEAN AND MAINTAIN



DISPOSAL

Waste reduction. Supplier-manufacturer packaging reuse system. Components are easy to be separated. Inks in packaging are water-based, without solvents.

Metal legs: **49,71%**
 Cantilever stool: **54,08%**
 Wood legs: **50,34%**
 RECYCLABLE MATERIALS

■ **CERTIFICATES AND REFERENCES**

The different programmes get points in different environmental categories to get the LEED certificate (sustainability, material and resources, water, energy and atmosphere, inner environment quality, innovation and design).



The mark of responsible forestry



EN ISO 14006:2011
 ECODESIGN Certificate



UNE-EN ISO 9001:2008
 ISO 9001 Certificate



UNE-EN ISO 14001:2004
 ISO 14001 Certificate



E1 Certificate
 by EN 13986



ACTIU TECHNOLOGY PARK
 LEED® PLATINUM certified by USGBC
 Leadership in Energy & Environmental Design
 LEED® Gold certified 2011 - LEED® Platinum certified 2017

■ **STANDARDS**

Confident office chair. Standard applied

- **UNE-EN 16139:13.** Furniture. Resistance, long lasting, security. Requirements for non domestic use seating.
- **NF P92-507:2004.** Certificate of reaction to fire. Group M2 (Only for projects)